

# Special Foam Grippers

## Special Foam Grippers ATX

Special Foam Grippers

### Introduction and application

- ◆ Built-in vacuum generator, alumina body, foam wear
- ◆ Small size, easy installation and good adsorption stability



### Ordering Data Special Foam Grippers

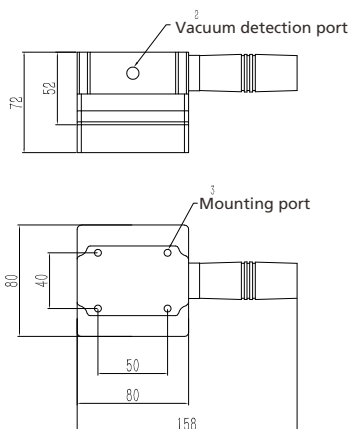
Type	Ordering Data	Type	Ordering Data	Type	Ordering Data
ATX-SW-80-80	90.10.01.00505	ATX-SW-120-60	90.10.01.00136	ATX-SW-120-120	90.10.01.00507
ATX-SVK-80-80	90.10.01.00649	ATX-SVK-120-60	90.10.01.00088	ATX-SVK-120-120	90.10.01.00650

### Technical Data Special Foam Grippers

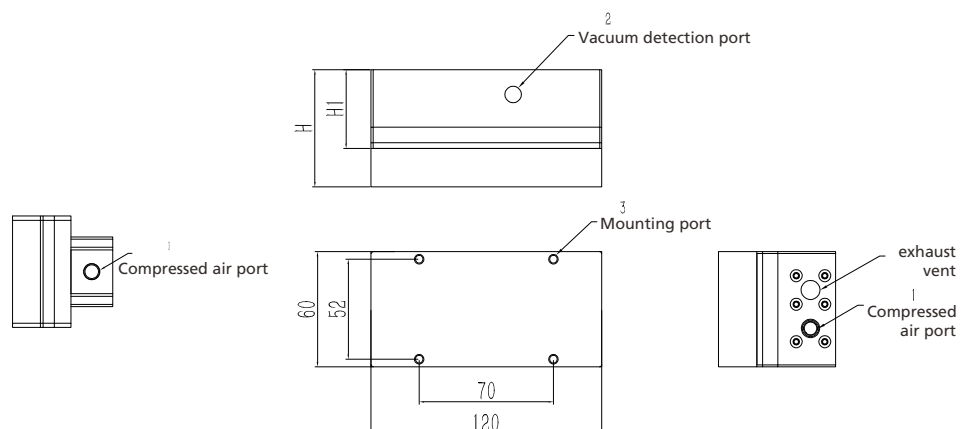
Type	Maximum vacuum [ % ]	Maximum suction capacity [ l/min ]	Air consumption [ l/min ]	Work pressure	Weight [ kg ]	Operating temperature
ATX-SW-80-80	60	120	90	5	0.4	-10~80
ATX-SVK-80-80	60	120	90	5	0.6	-10~80
	60	120	90	5	0.7	-10~80
ATX-SVK-120-60	60	120	90	5	0.8	-10~80
ATX-SW-120-120	60	192	120	5	0.9	-10~80
ATX-SVK-120-120	60	192	120	5	1.1	-10~80

### Design Data Special Foam Grippers

ATX-SW/SVK-80-80



ATX-SW/SVK-120-60



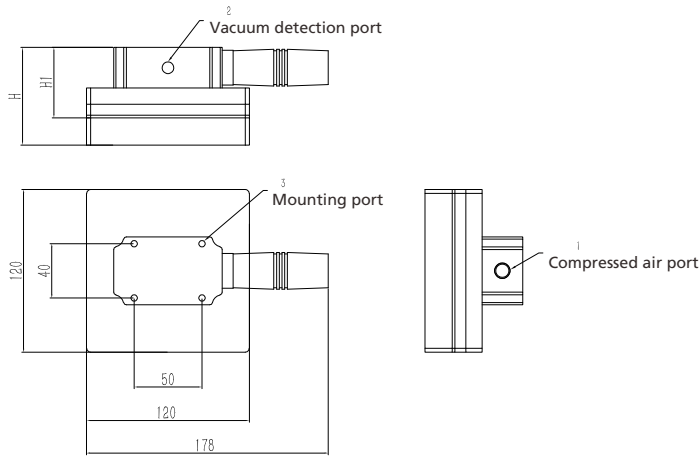
# Special Foam Grippers

## Special Foam Grippers ATX



### Design Data Special Foam Grippers ATX

ATX-SW/SVK-120-120



Type	Dimensions[mm]				
	1	2	3	H	H1
ATX-SW-80-80	G1/4	G1/8	M6	64	44
ATX-SVK-80-80	G1/4	G1/8	M6	72	52
ATX-SW-120-60	G1/8	G1/8	M5	53	33
ATX-SVK-120-60	G1/8	G1/8	M5	60	40
ATX-SW-120-120	G1/4	G1/8	M6	64	44
ATX-SVK-120-120	G1/4	G1/8	M6	72	52

Combined Suction Cups

Vacuum Suction Cups

Composite Suction Cups

Special Grippers

Vacuum Gripping Systems

Mounting Elements

Vacuum Generators

Valve Technology

Switch And Monitoring

Vacuum Filters